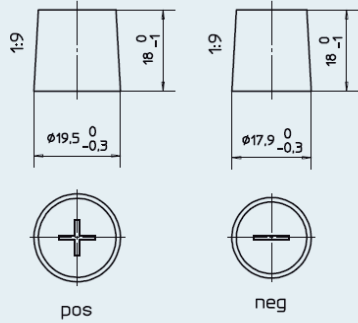
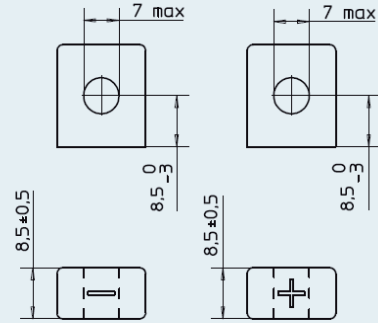


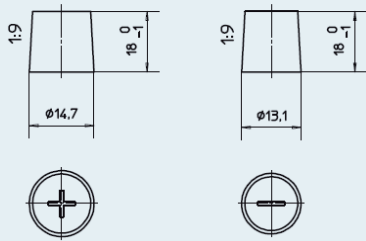
POLAUSFÜHRUNGEN



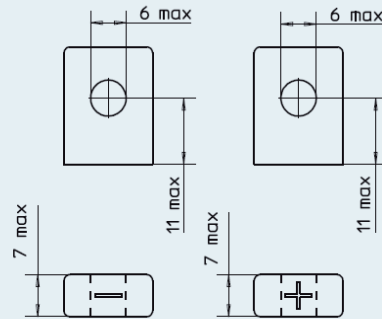
Terminal 1



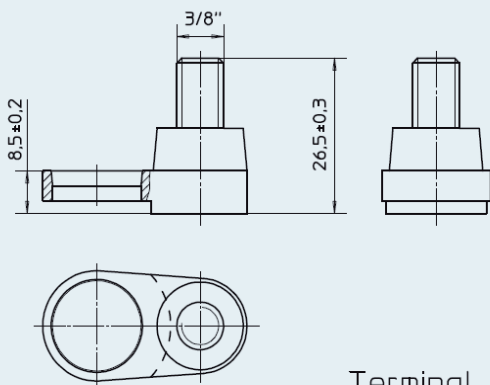
Terminal 4



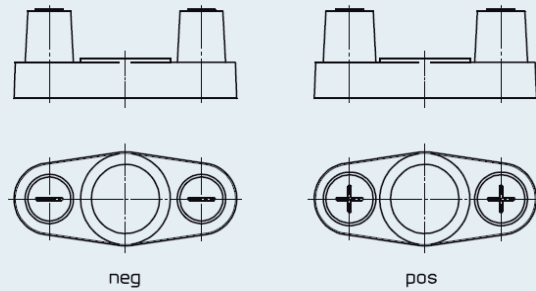
Terminal 3



Terminal 5

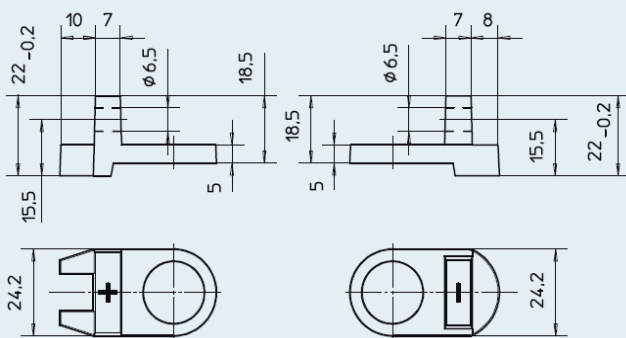


Terminal 8

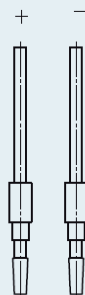


Dimension as shown in fig. *terminal 1*

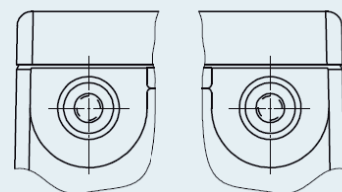
Terminal 20



Terminal 19



Terminal K



Terminal 21